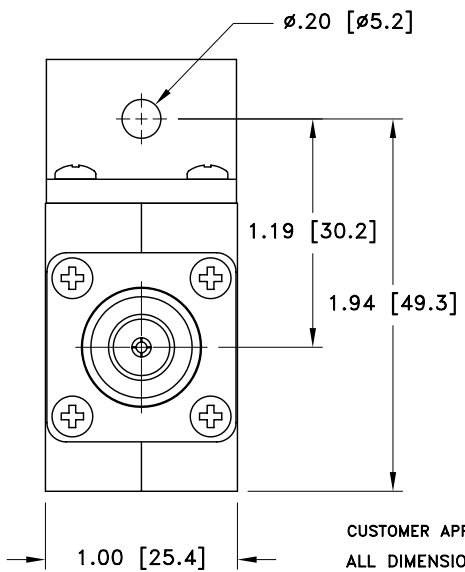
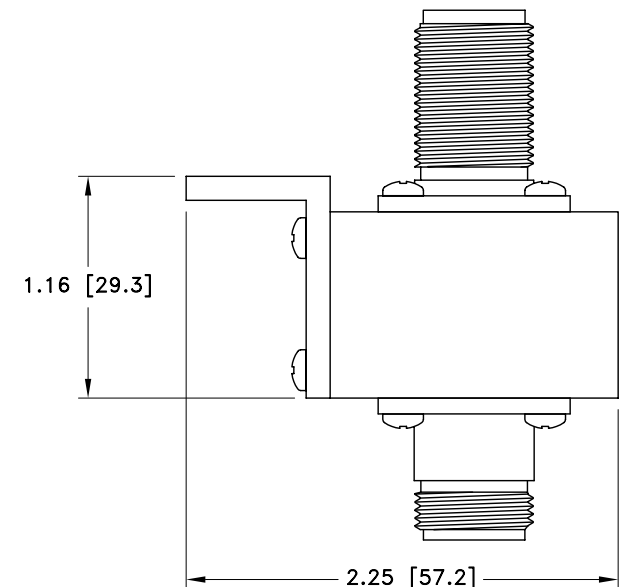
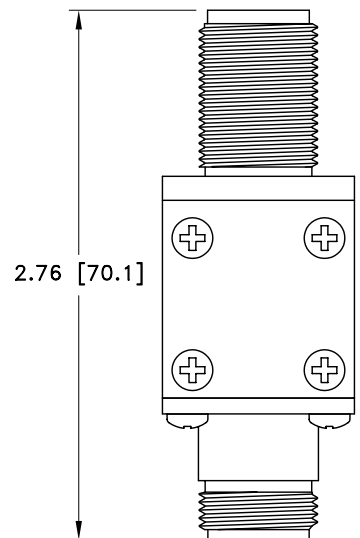
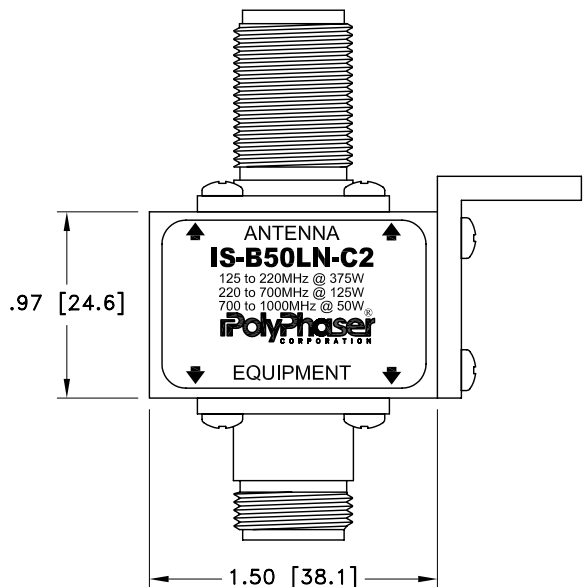


ALL DESIGN, OPERATIVE AND PROCESS DATA PERTAINING TO THE ARTICLE SHOWN ON THIS SHEET IS THE PROPERTY OF POLYPHASER CORPORATION. THE INFORMATION IS NOT TO BE COPIED, REPRODUCED, REVEALED TO OR APPROPRIATED BY OTHERS WITHOUT THE EXPRESS WRITTEN CONSENT OF POLYPHASER CORPORATION.

REVISIONS				
REV LTR	DATE	ENG	MKTG	Q.A.
D	01/11/01 ^{IB}	KCB	PH	RM
E	11/12/02 ^{SH}	LC	SD	LJ



CUSTOMER APPROVAL: _____ DATE: _____
 ALL DIMENSIONS SHOWN ABOVE ARE FOR REFERENCE ONLY.

MAXIMUM CHARACTERISTICS	
APPLICATION:	BULKHEAD MOUNT
FREQUENCY RANGE:	125MHz TO 1GHz
VSWR:	$\leq 1.1:1$ OVER FREQUENCY RANGE
INSERTION LOSS:	≤ 0.1 dB OVER FREQUENCY RANGE
MAX POWER:	375W @ 125MHz DECREASING TO 50W @ 1GHz
TURN-ON:	600Vdc \pm 20%
THROUGHPUT ENERGY:	$\leq 220\mu$ J FOR 8/20 μ s WAVEFORM
OPERATING TEMPERATURE:	-55°C TO +50°C
STORAGE TEMPERATURE:	-55°C TO +85°C
RELATIVE HUMIDITY:	90% AT 40°C
VIBRATION	1G AT 5Hz TO 100Hz

DRAFTER M. JOHNSON	DATE 07/11/94	 P.O. BOX 9000, MINDEN, NV 89423-9000 (775) 782-2511 FAX (775) 782-4476 DWG NO/PART NO/DESCRIPTION IS-B50LN-C2 CUSTOMER PRINT			
MECH ENGINEER ---	DATE ---				
ELEC ENGINEER K. BARTEL	DATE 05/01/95				
MARKETING ---	DATE ---				
QUALITY DEPT R. MATHEUS	DATE 05/01/95	CAGE CODE 61114	FILE NAME -C1	SCALE 1/1	SHEET 1 OF 1