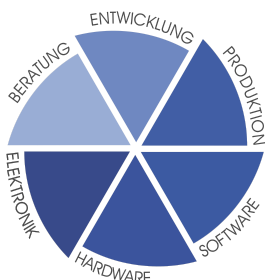


Major 5a

English Version 1.0



preliminary



FunkTronic
Kompetent für Elektroniksysteme

Control Elements Major 5a



General features

The Major 5a is the newer design of the well known Major 5. The programming possibilities were essentially widened and strongly simplified by clear text menu structure.

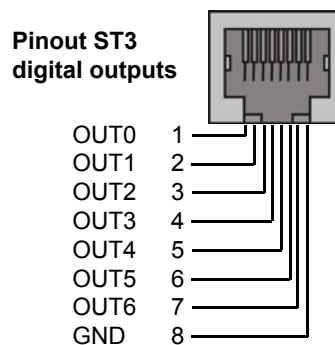
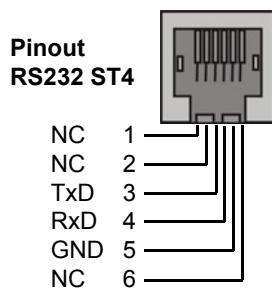
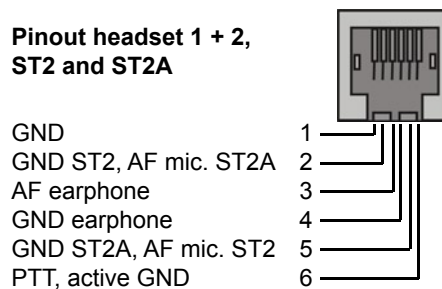
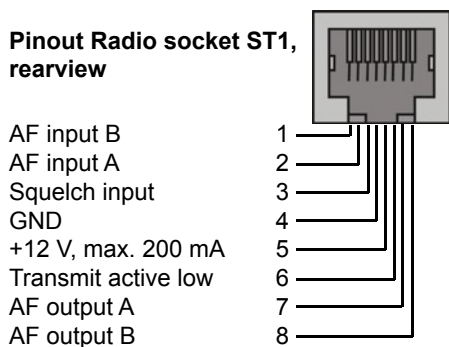
There are two sockets for headsets. One is normally used for a PTT foot button. The 7 digital outputs are normally used for channel switching or also other functions. For operation a 12 volt power supply is necessary.

The Major 5a can be programmed via the serial interface or keypad. It is also possible to connect a printer or terminal on the serial interface. For printers with parallel interface is an optionally interface available.

Rearview Major 5a



Sockets pinout Major 5a





Zu beziehen über :

[Oppermann-Telekom](#)

Hauptstraße 34a

D-06507 Fridrichsbrunn

Tel : 039487-552

Fax : 039487-79001